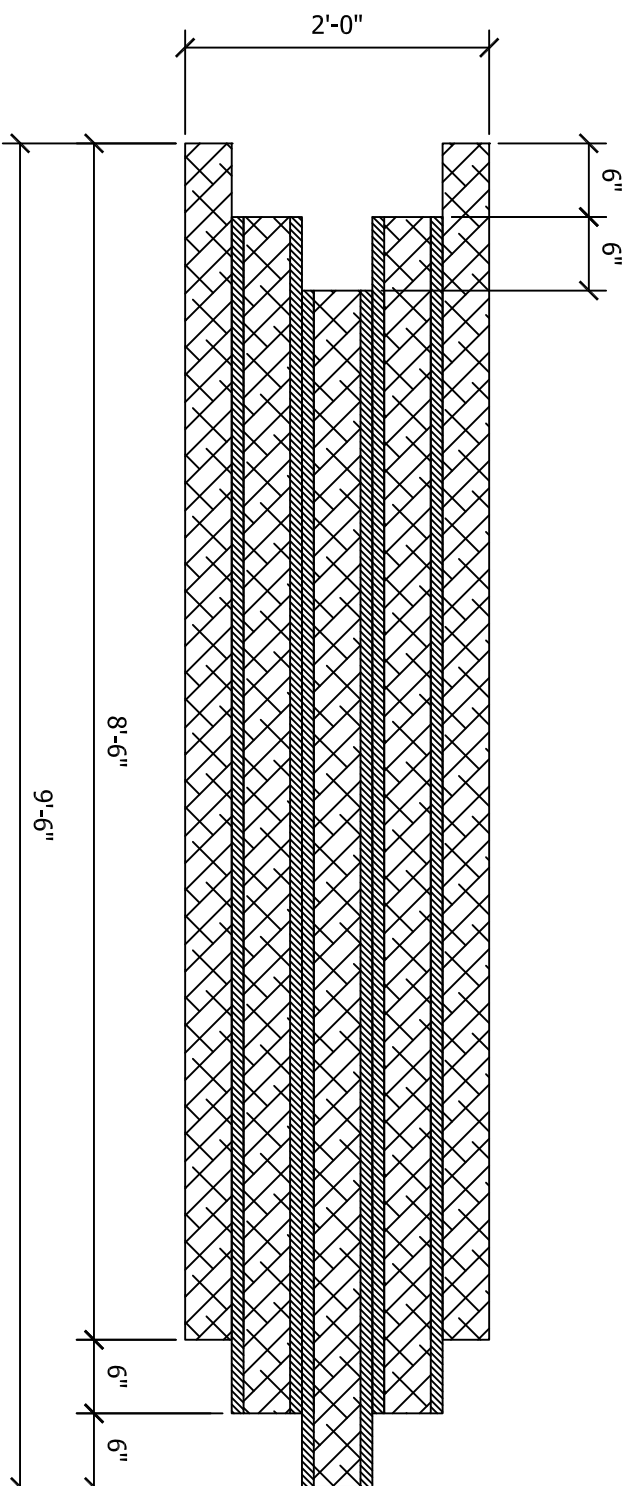
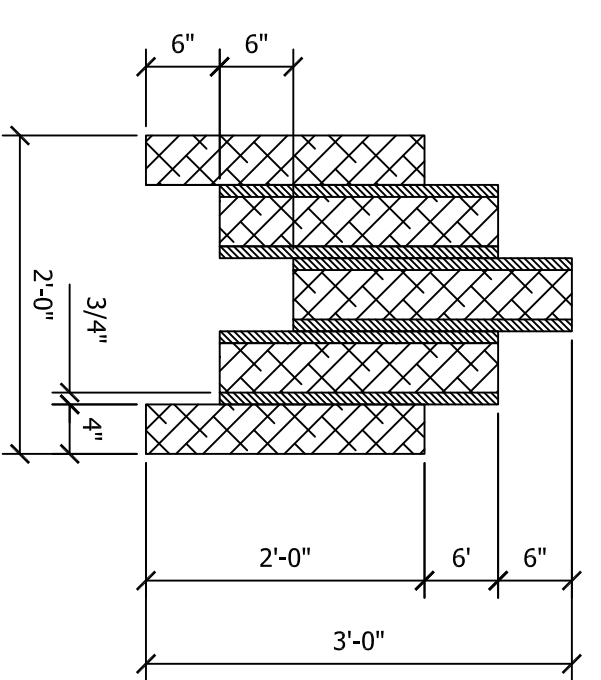


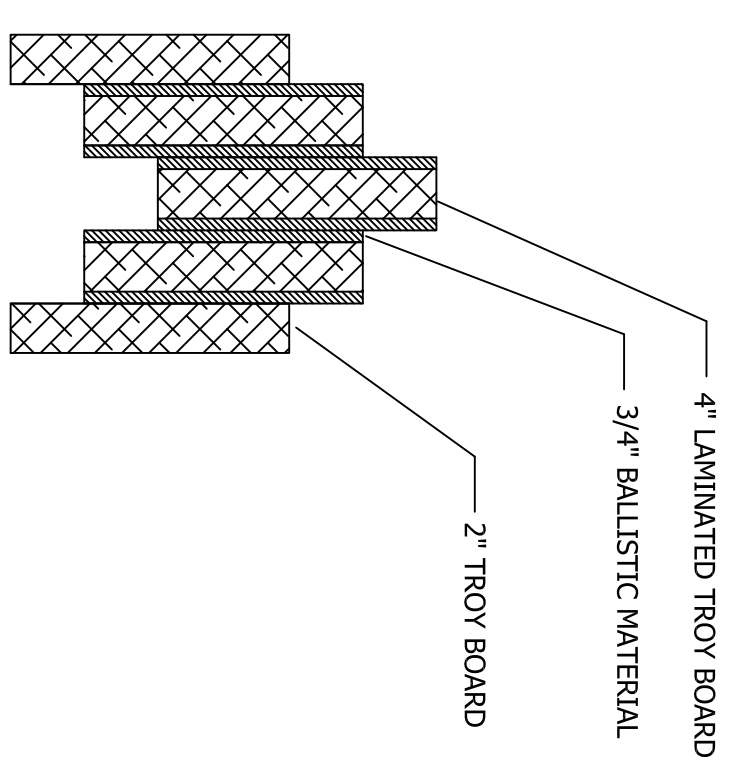
1 ISOMETRIC BLAST PANEL
A-1 SCALE: 1"=1'-0"



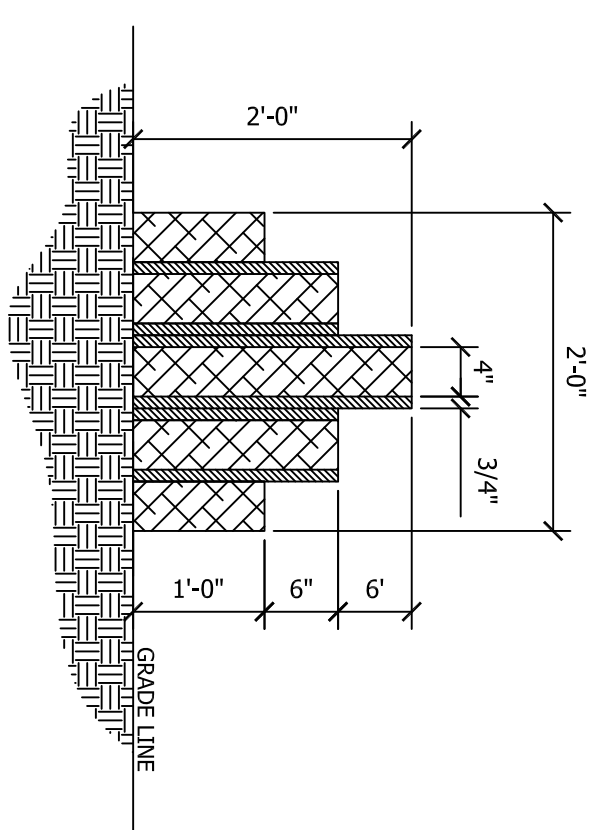
2 ISOMETRIC BLAST PANEL
A-1 SCALE: 1"=1'-0"



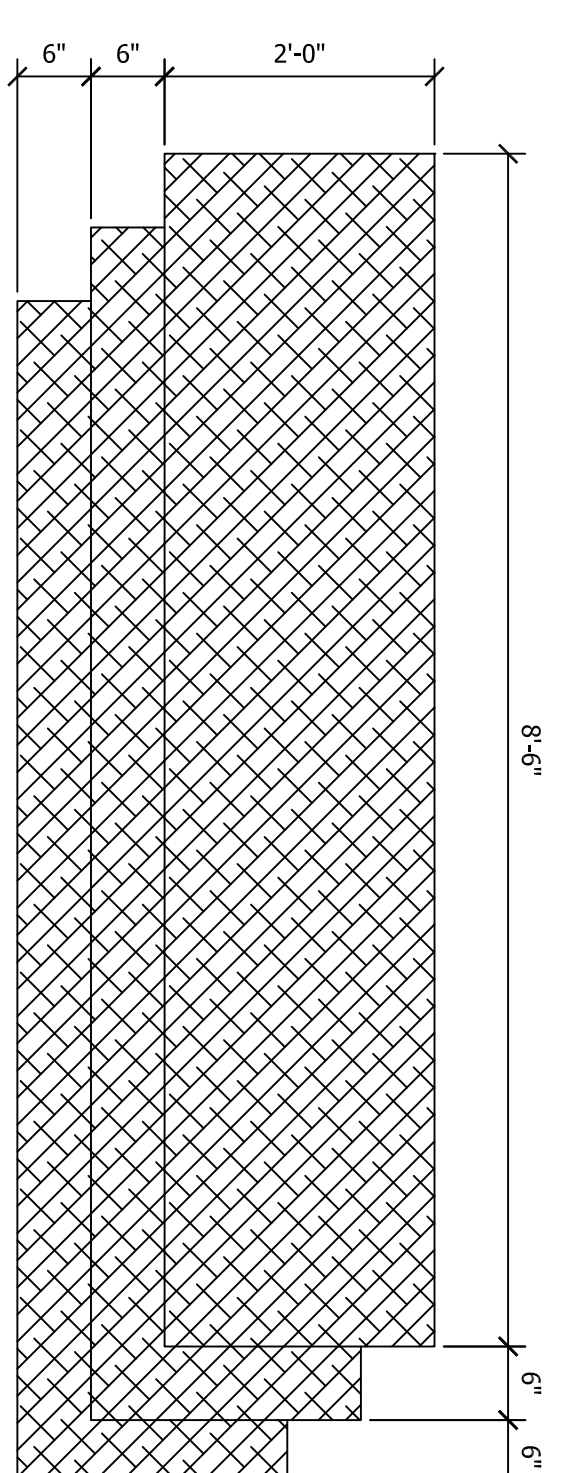
3 BLAST PANEL ELEVATION
A-1 SCALE: 1"=1'-0"



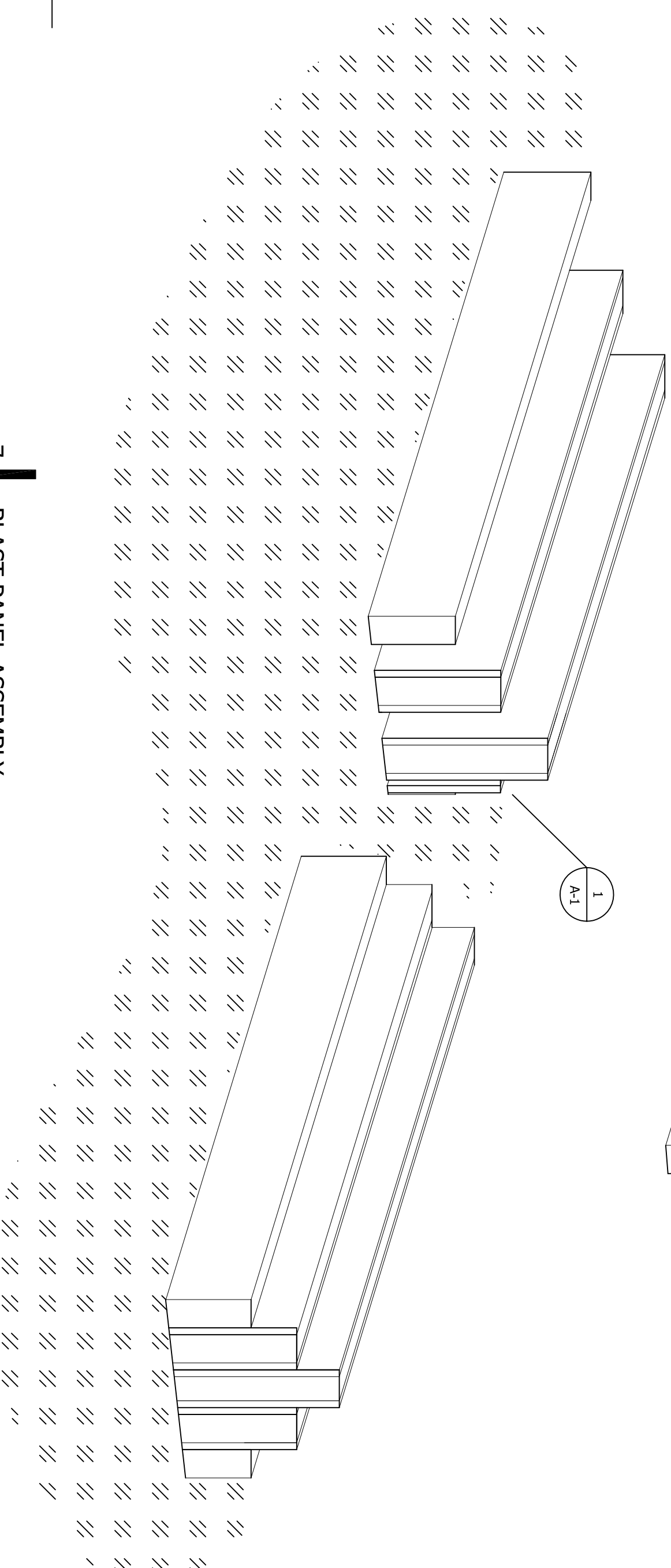
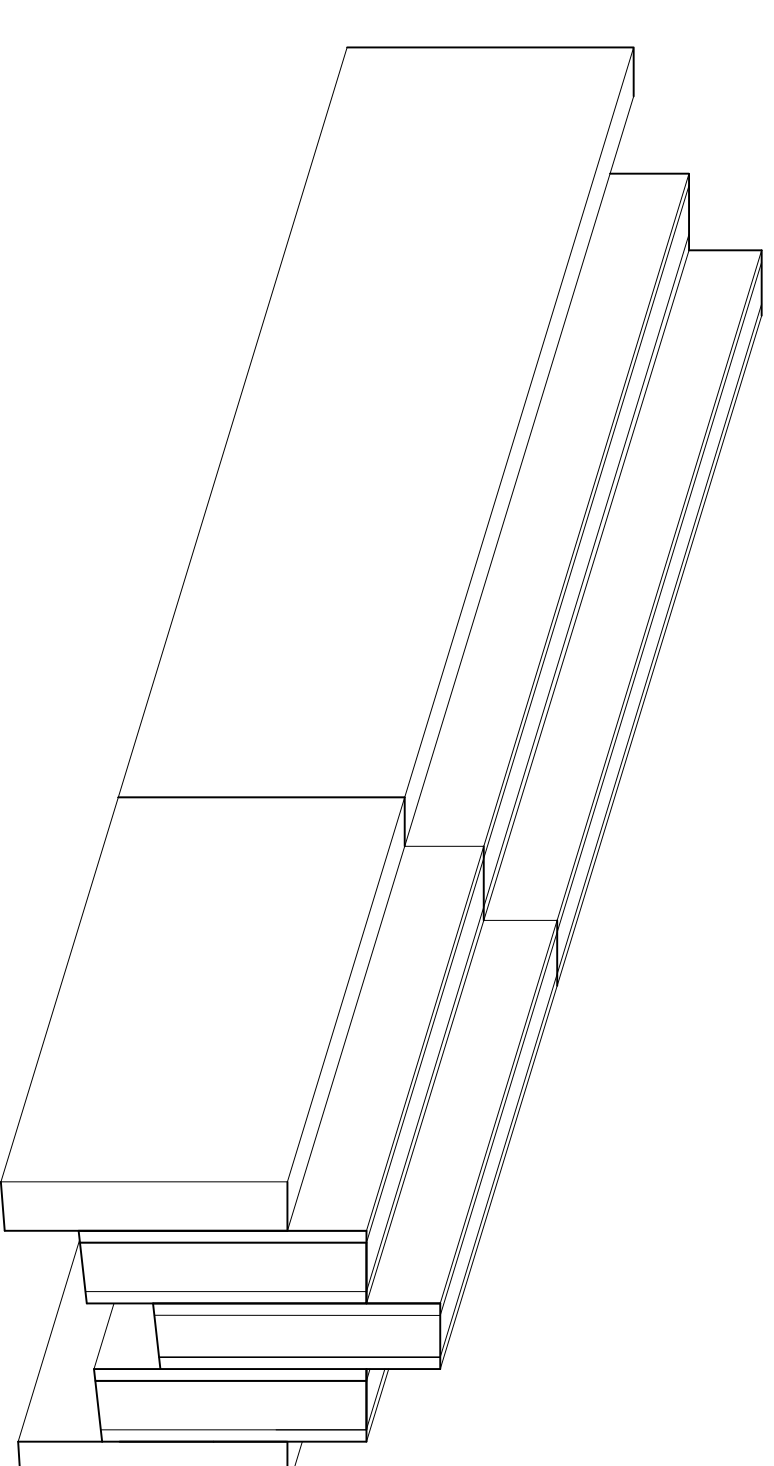
4 MATERIALS
A-1 SCALE: 1"=1'-0"



5 MATERIALS
A-1 SCALE: 1"=1'-0"



6 BLAST PANEL ELEVATION
A-1 SCALE: 1"=1'-0"



7 BLAST PANEL ASSEMBLY
A-1 SCALE: 1"=1'-0"



TROY ACOUSTICS CORPORATION
The Acoustic Solution Specialists™
www.troy-soundwalls.com
28358 Constellation Road
Suite 640
Santa Clarita, CA 91355
Tel: (818) 376.8490
(800) 887.3306
Fax: (818) 376.8495

TROY ACOUSTICS
MODULAR BALLISTIC PANEL

REVISIONS:

DRAWN BY-
DATE- 02/02/2012
SCALE- AS NOTED

BLAST WALL DETAILS

SHEET #

A-1

1 OF 5



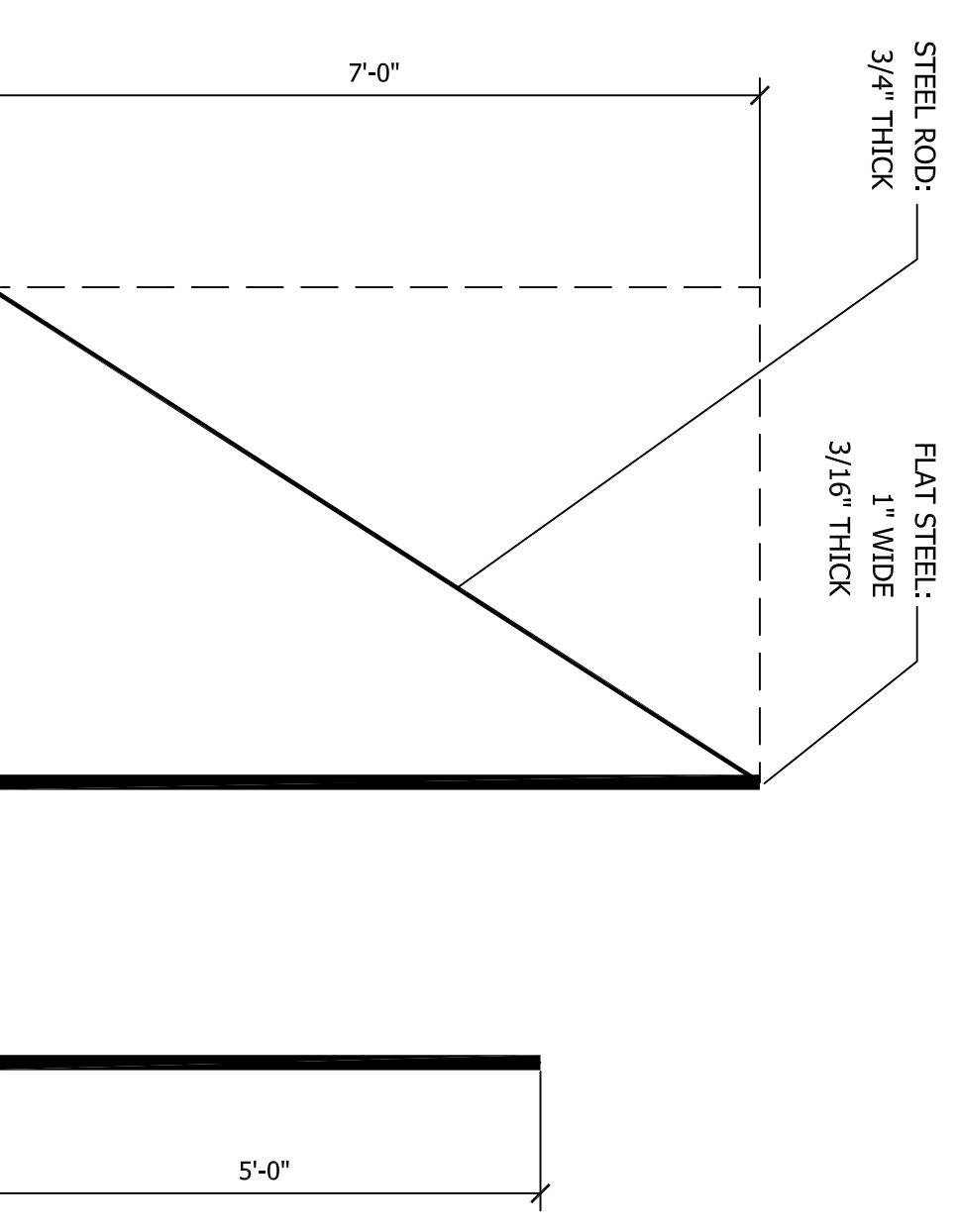
TROY ACOUSTICS BLAST WALL

REVISIONS:

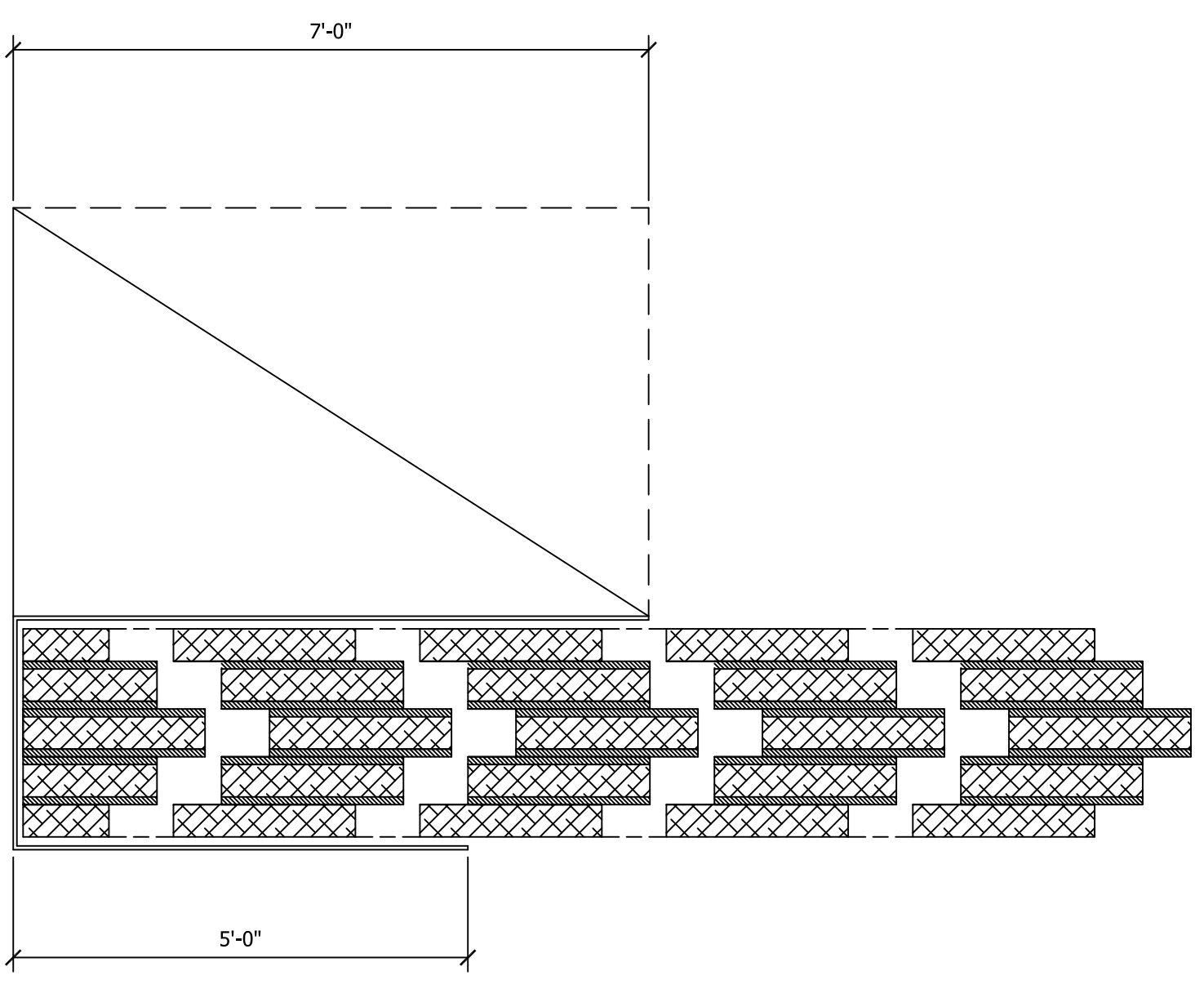
DRAWN BY-	
DATE- 02/02/2012	
SCALE- AS NOTED	

DETAILS

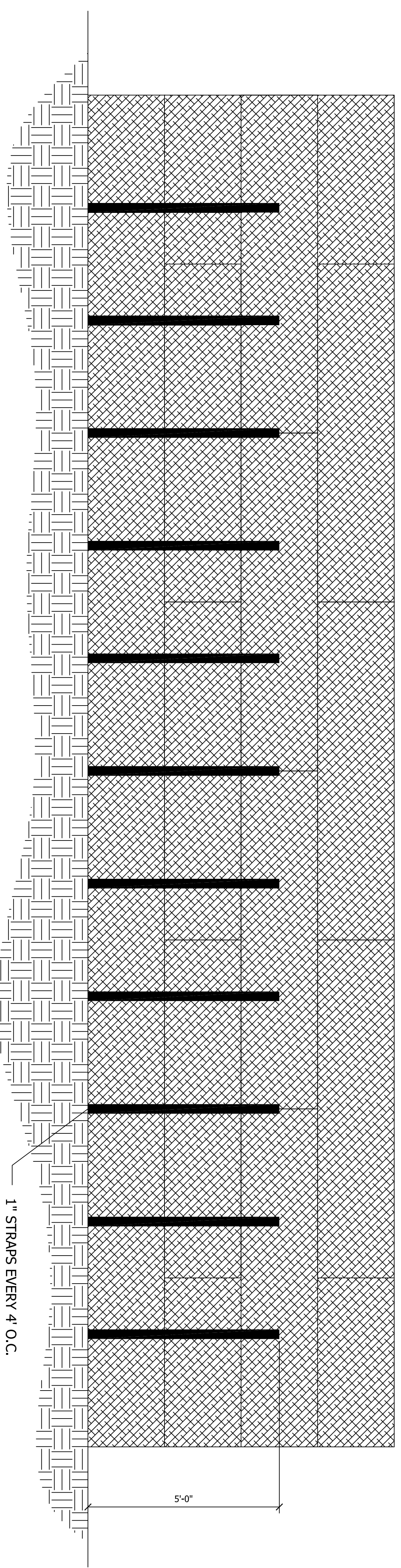
SHEET #	A-4
4 OF 9	



1 STEEL ROD SUPPORT
 A-4 SCALE: 1"=1'-0"



2 QUICK DEPLOYMENT DETAIL
 A-4 SCALE: 1"=1'-0"



3 OUTDOOR RANGE WALL
 A-4 NOT TO SCALE