

Number of 3/4" by 4" Nelson studs each face (spacing is 4" o.c.)

Wind Speed (mph)	Wall Height (feet)						
	8'	10'	12'	14'	15'		
80	2	2	3	3	4		
90	2	2	3	4	5		
100	2	3	4	5	6		
110	2	3	5	6	7		

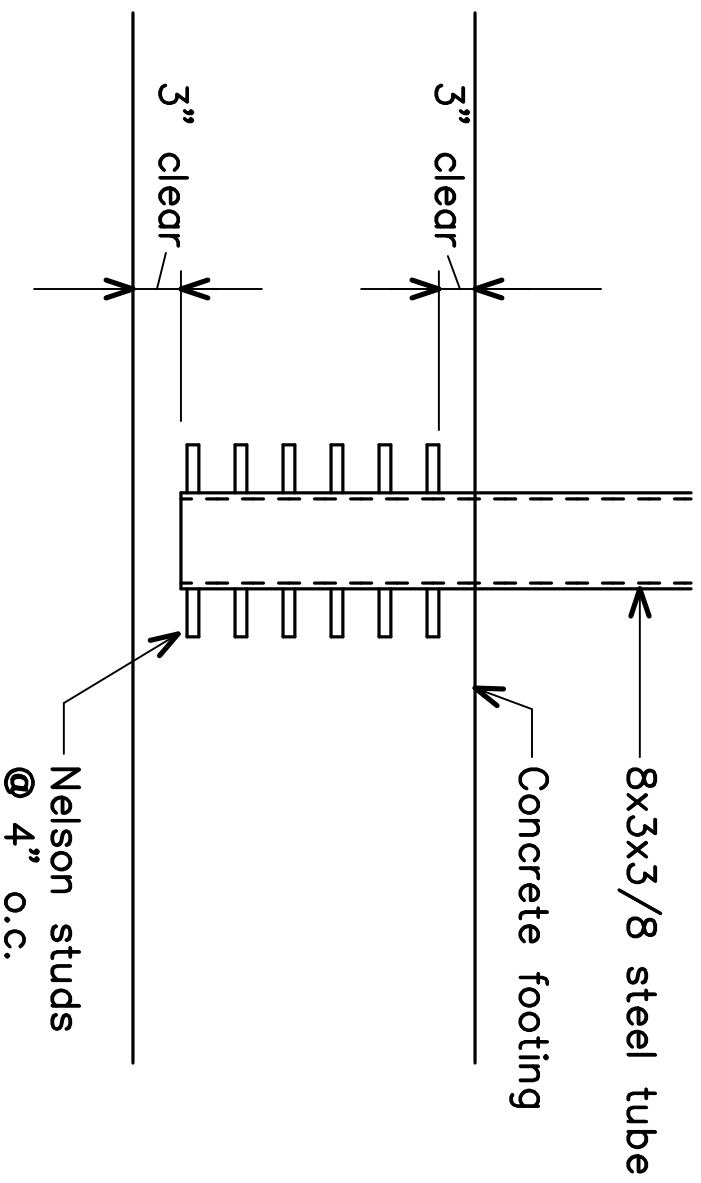


Figure 1

Footing Sizes

Wind Speed (mph)	Wall Height (feet)				
	8'	10'	12'	14'	15'
80	A	B	C	D	D
90	B	C	C	D	D
100	B	C	D	E	E
110	B	C	D	F	F

Column spacing 8'-3" OK for all conditions

Footing Sizes (Depth x Width x Length)

- A - 2'x2'x3'
- B - 2'x2'x4'
- C - 2'x2'x5'
- D - 2.5'x2.5'x5'
- E - 2.5'x3'x5'
- F - 3'x3'x5'

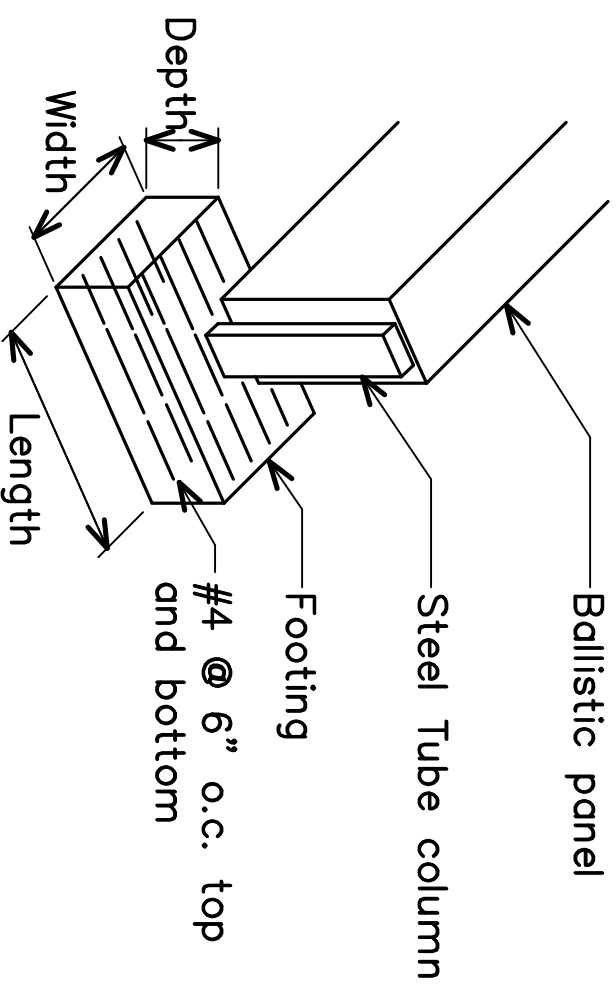


Figure 2

Footing Sizes

Wall Height (feet)

Wind Speed (mph)	8'	10'	12'	14'	15'
80	A	B	C	D	D
90	B	C	C	D	D
100	B	C	D	E	E
110	B	C	D	F	F

Column spacing 8'-3" OK for all conditions except as follows.
 For 100 mph wind and H = 15' use 7'-4" spacing
 For 110 mph wind and H = 14' use 7'-0" spacing
 For 110 mph wind and H = 15' use 6'-2" spacing

Footing Sizes (Depth x Width x Length)

- A - 2'x2'x3'
- B - 2'x2'x4'
- C - 2'x2'x5'
- D - 2.5'x2.5'x5'
- E - 2.5'x3'x5'
- F - 3'x3'x5'

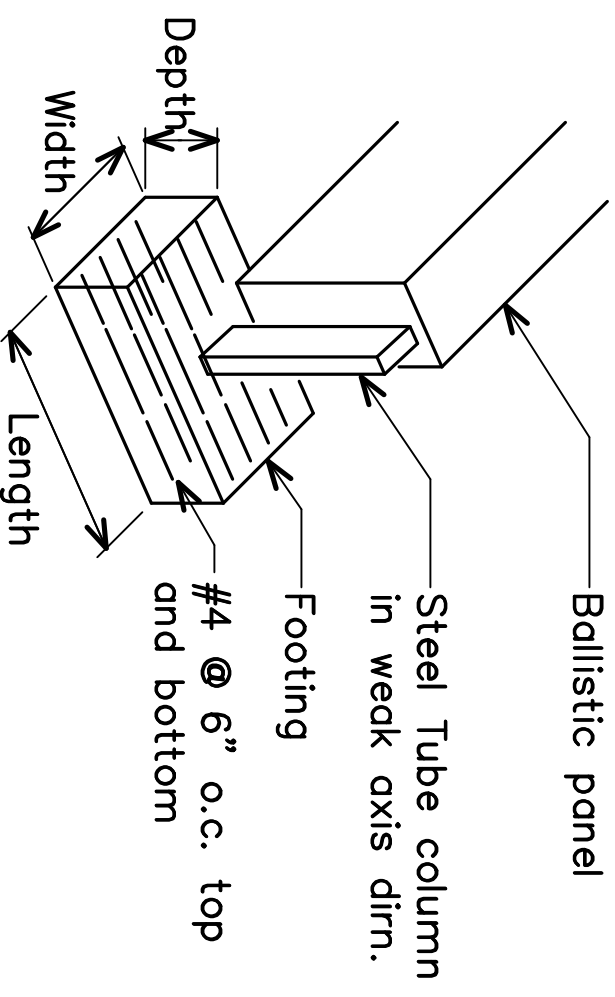


Figure 2A

Number of pairs of 3/4" by 4" Nelson studs each face (spacing is 4" o.c. each way)

Wind Speed (mph)

	Wall Height (feet)														
	14'	16'	18'	20'	22'	24'	26'	28'							
80	2	3	3	4	5	6	7	8							
90	3	3	4	5	6	8	9	10							
100	3	4	5	6	8	9	11	13							
110	4	5	6	7	9	11	13	15							

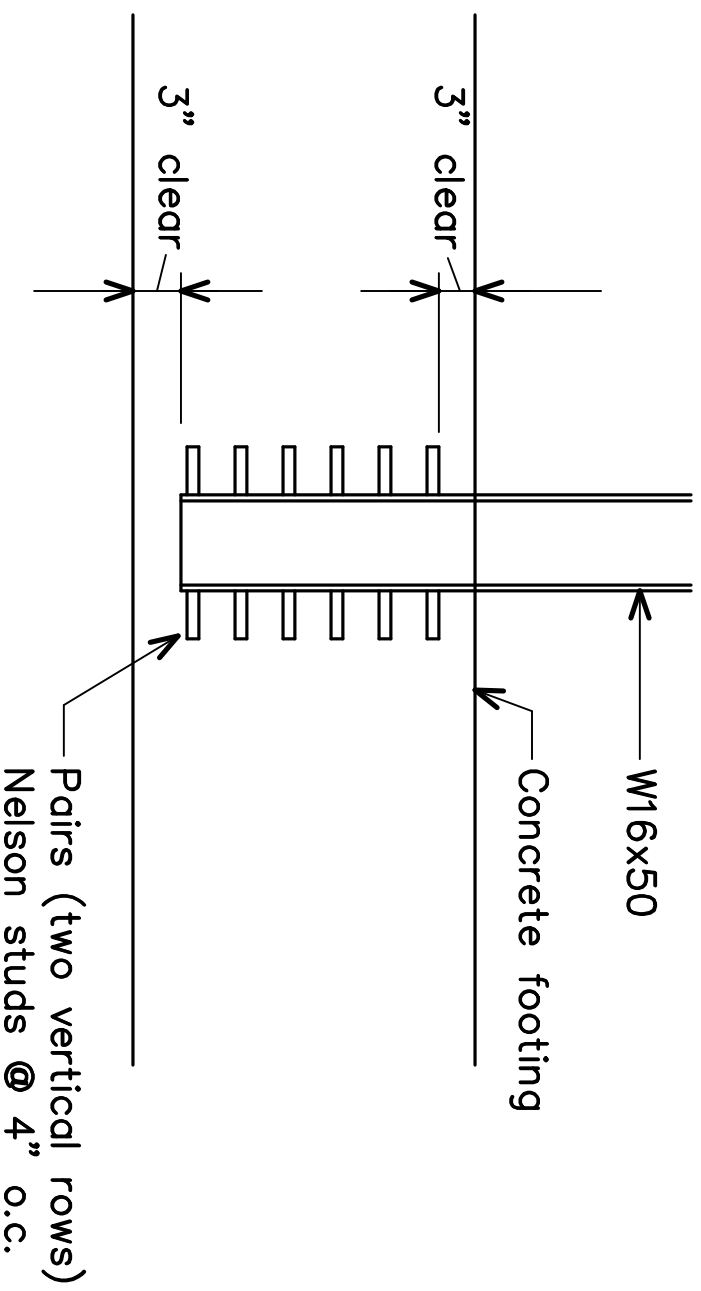


Figure 3

Footing Sizes

Wall Height (feet)

Wind Speed (mph)	14'	16'	18'	20'	22'	24'	26'	28'
80	G	G	H	J	J	K	L	M
90	G	H	J	J	K	L	M	N
100	H	J	J	K	L	M	P	Q
110	H	J	K	L	M	P	Q	R

Column spacing = 18'-0" OK for all conditions except as follows
 For 110 mph wind and H = 26' use 17'-10" spacing
 For 110 mph wind and H = 28' use 15'-4" spacing

Footing Sizes (Depth x Width x Length)

- G – 2'x4'x6'
- H – 2'x4'x7'
- J – 2.5'x5'x7'
- K – 3'x5'x7'
- L – 3.5'x5'x7'
- M – 3.5'x5'x8'
- N – 4'x5'x8'
- P – 4.5'x5'x8'
- Q – 5'x5'x8'
- R – 5.5'x5'x8'

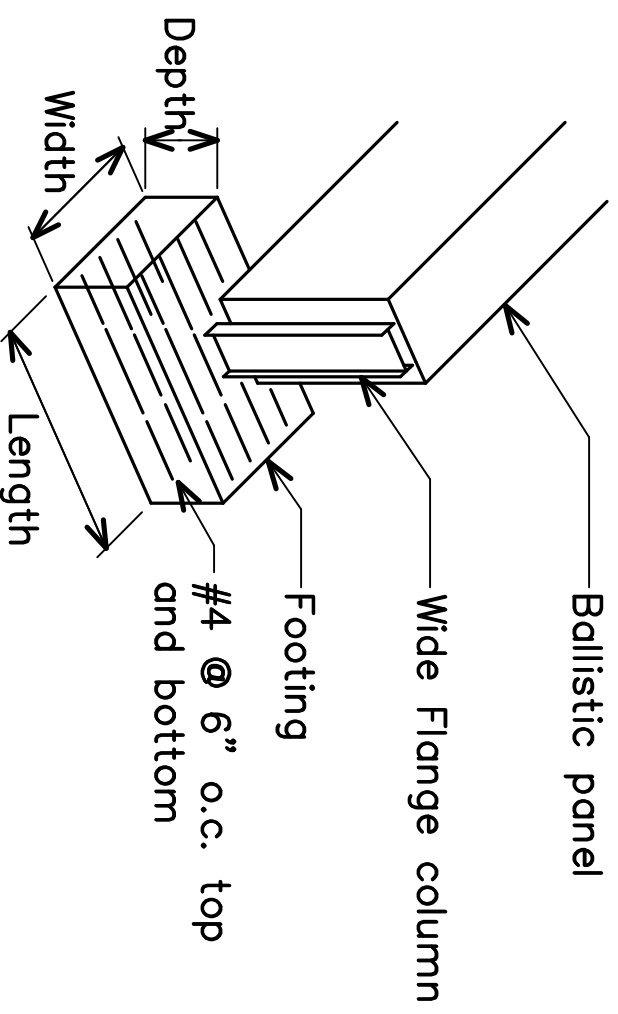


Figure 4

Embedment depth for Piles, no soils report required, Piles are 24" in diameter, steel tube extends full pile depth

Wall Height (feet)

Wind Speed (mph)	8'	10'	12'	14'	15'
80	5'	5.5'	6'	7'	7'
90	5.5'	6'	6.5'	7.5'	7.5'
100	5.5'	6.5'	7'	8'	8.5'
110	6'	7'	8'	8.5'	9'

Column spacing 8'-3" OK for all conditions except as follows.
 For 100 mph wind and H = 15' use 7'-4" spacing
 For 110 mph wind and H = 14' use 7'-0" spacing
 For 110 mph wind and H = 15' use 6'-2" spacing

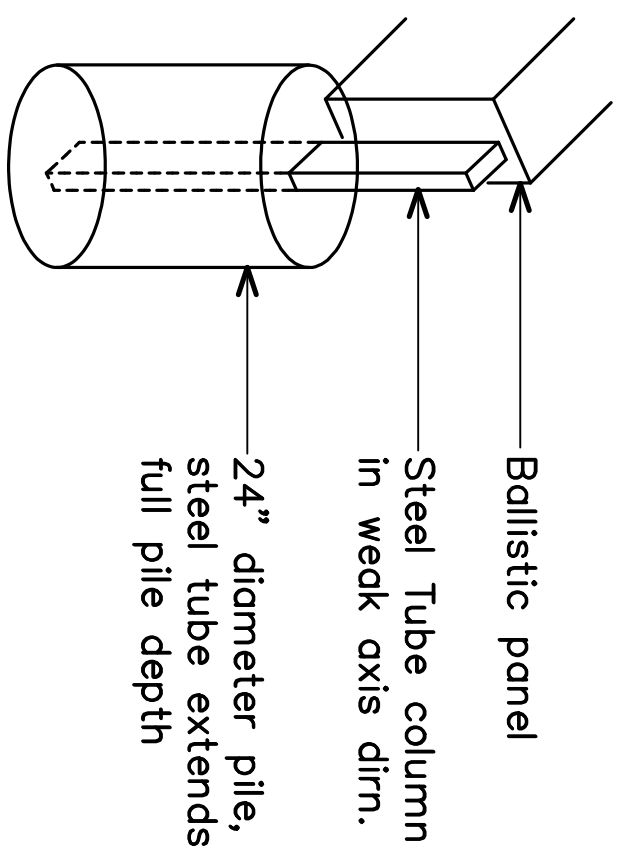


Figure 5

Embedment depth for Piles, no soils report required,
 Piles are 30" in diameter, wide flange extends full pile depth

Wall Height (feet)

Wind Speed (mph)	14'	16'	18'	20'	22'	24'	26'	28'
80	8.5'	9'	10'	10.5'	11.5'	12'	12.5'	13.5'
90	9'	10'	10.5'	11.5'	12.5'	13'	14'	14.5'
100	10'	11'	11.5'	12.5'	13.5'	14'	15'	15.5'
110	10.5'	11.5'	12.5'	13.5'	14.5'	15'	16'	17'

Column spacing = 18'-0" OK for all conditions except as follows
 For 110 mph wind and H = 26' use 17'-10" spacing
 For 110 mph wind and H = 28' use 15'-4" spacing

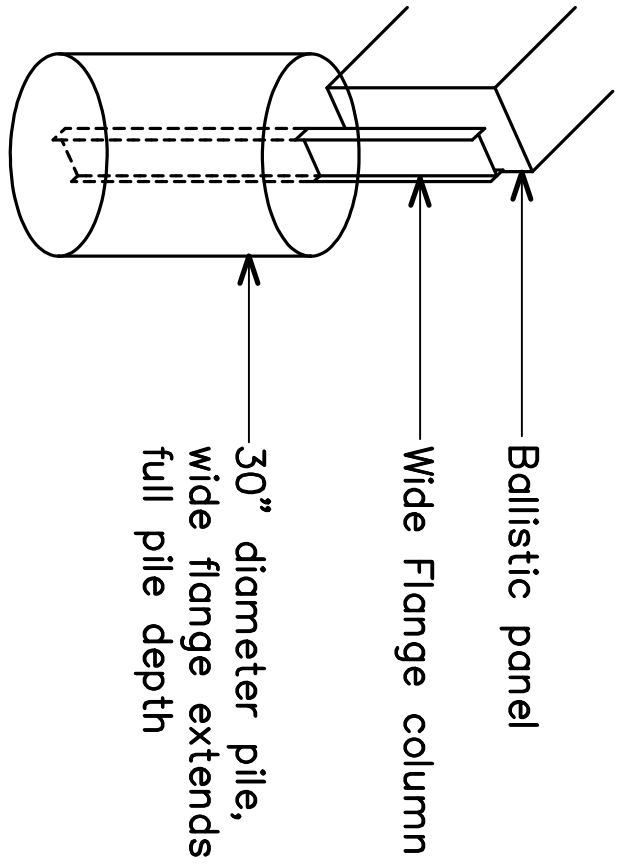


Figure 6

Spacing for Wide Flange Column			
L		16	feet
M	$\lambda * Kzt * I * p530 * L * H^{2/2}$		
W16x50 @ 80 mph			
M	H=14'	19352	ft-lbs
	16'	26948	ft-lbs
	18'	34106	ft-lbs
	20'	42106	ft-lbs
	22'	53317	ft-lbs
	24'	63452	ft-lbs
	26'	77226	ft-lbs
	28'	89564	ft-lbs
W16x50 @ 90 mph			
M	H=14'	24285	ft-lbs
	16'	33817	ft-lbs
	18'	42799	ft-lbs
	20'	52838	ft-lbs
	22'	66908	ft-lbs
	24'	79626	ft-lbs
	26'	96911	ft-lbs
	28'	112394	ft-lbs
W16x50 @ 100 mph			
M	H=14'	30167	ft-lbs
	16'	42007	ft-lbs
	18'	53165	ft-lbs
	20'	65635	ft-lbs
	22'	83112	ft-lbs
	24'	98911	ft-lbs
	26'	120382	ft-lbs
	28'	139615	ft-lbs
W16x50 @ 110 mph			
M	H=14'	36428	ft-lbs
	16'	50725	ft-lbs
	18'	64199	ft-lbs
	20'	79258	ft-lbs
	22'	100362	ft-lbs
	24'	119439	ft-lbs
	26'	145367	ft-lbs
	28'	168591	ft-lbs
Moment transfer into footing, Nelson Studs			
fc'		2500	psi
fa	$0.45 * fc'$	1125	psi
Use 3/4" by 4" Nelson Studs @ 4" o.c.			
D		0.75	inches
L		4	inches
d		16	inches
P	$fa * D * L$	3375	lbs
Ma - two rows	$2 * P * (d+L) / 12$	11250	ft-lbs
			page 10

Embedment Required			
W16x50 @ 80 mph			
E	H=14'	14	inches
	16'	18	inches
	18'	18	inches
	20'	22	inches
	22'	26	inches
	24'	30	inches
	26'	34	inches
	28'	38	inches
W16x50 @ 90 mph			
E	H=14'	18	inches
	16'	18	inches
	18'	22	inches
	20'	26	inches
	22'	30	inches
	24'	38	inches
	26'	42	inches
	28'	46	inches
W16x50 @ 100 mph			
E	H=14'	18	inches
	16'	22	inches
	18'	26	inches
	20'	30	inches
	22'	38	inches
	24'	42	inches
	26'	50	inches
	28'	58	inches
W16x50 @ 110 mph			
E	H=14'	22	inches
	16'	26	inches
	18'	30	inches
	20'	34	inches
	22'	42	inches
	24'	50	inches
	26'	58	inches
	28'	66	inches
Footing Size			
assume 1:2:3 footing size			
wc	weight density of concrete	150	pcf
d	depth of footing		feet
b	width of footing = 2*d		feet
L	length of footing = 3*d		feet
W	weight of footing = 150*d*2d*3d		
x	moment arm = 2*L/3 = 2d		
M	$W*x = 1800*d^4$		
dr	$(M/1800)^{(1/4)}$		
M	$150*d*b*L*x = 100*d*b*L^2$		

